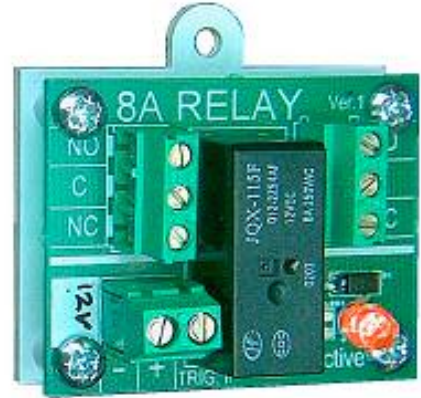


Part Number	EASY RELAY12/PCB 500/010
Description	Security System/Automotive Relay (12V coil)
Reference	Installation Guidelines – T2/ER12/install/09-10-05

Overview

- The Easy-Relay 12 is intended for use in 12VDC applications such as security system interfacing.
- There is a built-in diode in series with the coil, which allows easy connection to bell circuits that use EOL resistors.
- The relay is of a compact power type. It has **two** sets of contacts, each capable of switching 8 amps.
- An LED is provided to visually indicate that the contacts are in the *active* position.

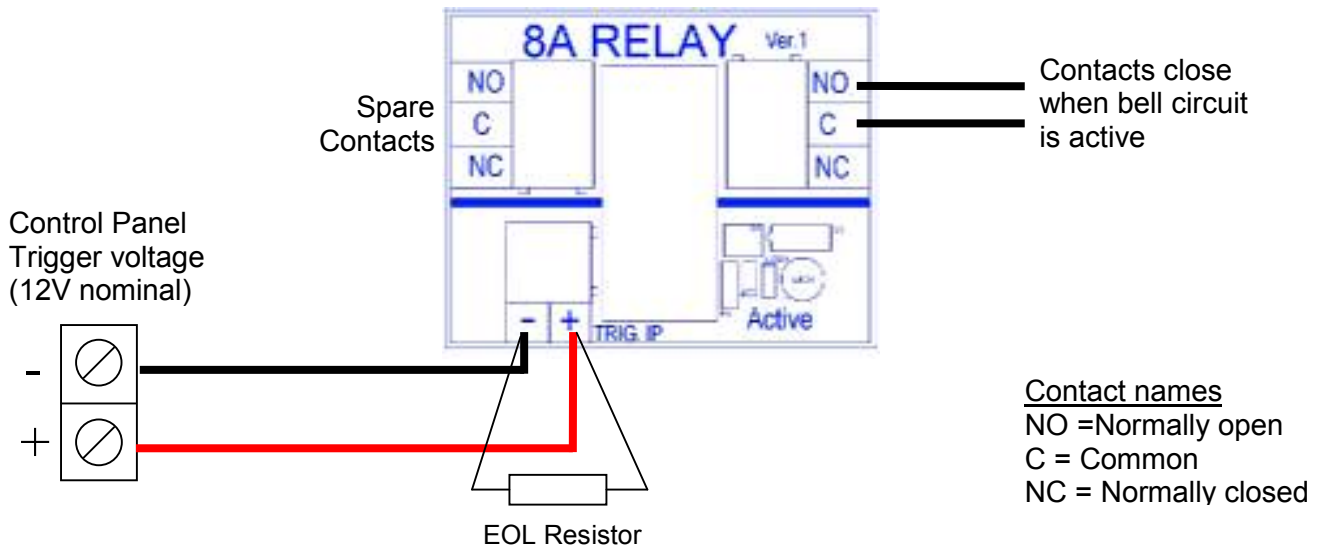


General Installation

The Easy-Relay PCB is fixed by means of at least one single screw (supplied). It must be mounted securely within a suitable enclosure. If mains voltages are being switched ensure the latest IEEE electrical wiring practices are adhered to.

PCB Connections

This application shows how to connect the relay to a security system bell circuit.



Technical Support

Contact your supplier for general technical support on this product.

Technical Data			
Nominal Input Voltage:	12V DC	Output Contact Rating:	Double Pole – Change Over Contacts 230V AC 8A max, 2000VA
Temperature Range:	-40 to +70°C	Contact Material:	Silver Alloy
Operational Current:	33mA @ 12V	Electrical Life	100,000 operations at rated current
Coil Power	0.4W	Physical Dimensions:	W.52mm x L.48mm x H.30mm
Drop Out Voltage:	2V DC		