

Plug-on communicators

**COM-SD-GSM****COM-SD-PSTN**

Multi-function, plug-on communicators for the i-on range.

Providing ARC reporting, Speech and SMS over standard PSTN or GSM. ARC reporting supports multiple formats including; Fast Format, Contact ID, SIA levels 1, 2 and 3. SMS provides up to four contacts with a variety of status messages. Additionally the COM-SD-PSTN and COM-SD-GSM communicators provide speech dialler functionality allowing personalised voice messages to be transmitted to up to four recipients.

At a glance...

- EN 50136-2 SP2 (Grade 2)
- GSM or PSTN
- Digital Communicator (FF, CID, SIA1, 2 & 3)
- SMS messaging
- Speech Dialler

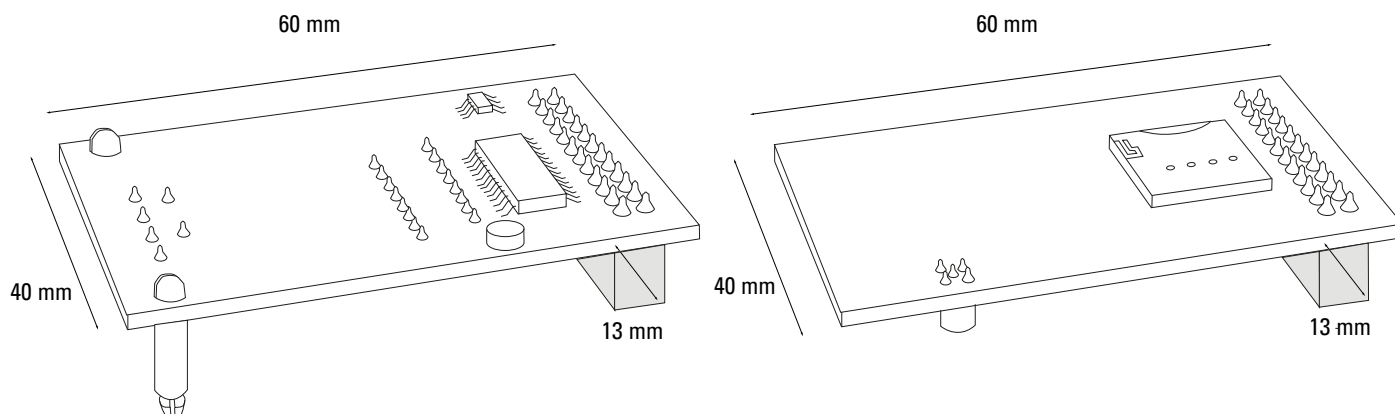


Powering Business Worldwide

Scantronic product data sheet

Product specification

| | | |
|-----------------------|--|---|
| Product code | COM-SD-PSTN | COM-SD-GSM |
| Mounting (LOV) | Plug on | Plug on |
| EN 50136-2 ATS class | SP2 | SP2 |
| Power consumption | Quiescent: 20mA Max: 30mA | Quiescent: 15mA Max: 140mA |
| Operating temperature | -10°C to +55°C | -10°C to +55°C |
| Radio frequency | n/a | GSM - 850/900/1800/1900MHz |
| Environmental | Class II | Class II |
| Number of messages | 4 | 4 |
| Number of contacts | 4 | 4 |
| Speech and SMS | Over PSTN: Yes Over GSM: No | Over PSTN: No Over GSM: Yes |
| Antenna | Built-in: n/a External: n/a | Built-in: Yes External: COM-ANT-01 |
| SIM size | n/a | Micro SIM |
| Dimensions | (LxWxD) 60 mm x 13 mm x 40 mm | (LxWxD) 60 mm x 13 mm x 40 mm |



Compare product compatibility with our easy to read chart: www.eaton.com/security-works-with

Eaton
Electrical Sector
EMEA Route de la Longeraie 7
1110 Morges, Switzerland

Eaton Electrical Products Ltd
Security House,
Vantage Point Business Village,
Mitcheldean, Gloucestershire
GL17 0SX

Tel: +44 (0)1594 545 400
Email: securitysales@eaton.com
Web: www.myscantronic.com

Eaton is a registered trademark of Eaton Corporation.

All other trademarks are property of their respective owners.