

# Relay cards

8600 relay card



i-RC01 relay card



The 8600 relay expansion card is designed to fit a range of Eaton security equipment converting transistorised outputs to clean contact relay outputs. This card contains eight relays, each with its own dedicated input.

The i-RC01 relay card is used with i-on control panels and expanders to convert the four on board transistorised outputs to clean contact relays. The relay card uses screw-free mountings specifically designed into these products for this purpose. Also fits into preformed clips in expander housing.

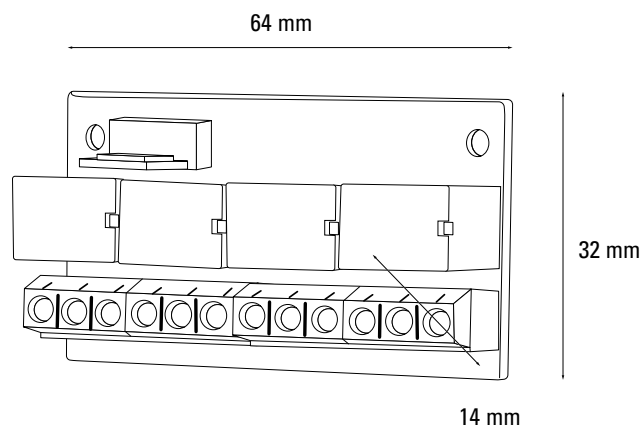
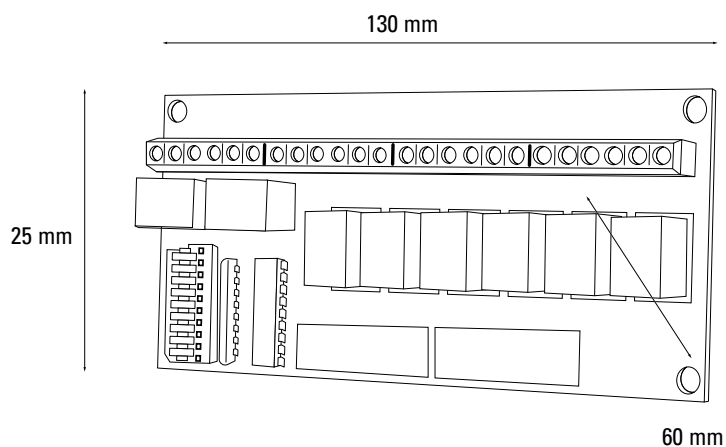
## At a glance...

- Rated at 1Amp
- Supplied with ready-terminated connecting cables
- Can be fitted to both wired and radio control panels

# Scantronic product data sheet

## Product specification

Product code	8600EUR-00	i-RC01
Connection	Eight relay output card	Four relay output card
Operating humidity	-10°C to +55°C	-10°C to +55°C
Operating temperature	95%	95%
Relay rating	19ma per relay	20ma per relay
Dimensions	H x W x D = 25 x 130 x 60 mm	H x W x D = 32 x 64 x 14 mm



Compare product compatibility with our easy to read chart: [www.eaton.com/security-works-with](http://www.eaton.com/security-works-with)

**Eaton**  
Electrical Sector  
EMEA Route de la Longeraie 7  
1110 Morges, Switzerland

**Eaton Electrical Products Ltd**  
Security House,  
Vantage Point Business Village,  
Mitcheldean, Gloucestershire  
GL17 0SX

Tel: +44 (0)1594 545 400  
Email: [securitysales@eaton.com](mailto:securitysales@eaton.com)  
Web: [www.myscantronic.com](http://www.myscantronic.com)

Eaton is a registered trademark of Eaton Corporation.

All other trademarks are property of their respective owners.