

Unit 31 Springvale Industrial Estate | Cwmbran NP44 5BD, United Kingdom | +44 (0) 1633 865 558

DESCRIPTION

The **CIE-A-400** Addressable Fire Alarm Control Panel is a two loop panel capable of each loop supporting up to 200 devices* with a maximum loop length of 2KM. The panel also provides two configurable Monitored Input Circuits, 2 configurable Monitored Output Circuits, 2 configurable Relays, 1 Fault Relay and also a Peripheral Bus Circuit to add up to 8 Repeater Panels.

The system may be configured utilising 3 alarm stages with full 'Zone to Zone' Cause and Effect across all 32 panel zones with provision to include Alarm Confirmation and Delay Timers. An additional 32 output zones are also provided for more complex Cause and Effect programming.

The **CIE-A-400** control panel is compatible with Fike's addressable range of devices and utilises soft addressing principles eliminating the need for the installer to physically address each device whilst also eradicating time spent on faults caused by duplicate addressing. The operating parameters of the devices are configured either from the panel or via the OSP programming software and are then stored within the flash memory of the device itself. This enhanced digital protocol means less information is needed to be sent between the detector and the host control panel, resulting in faster, more reliable communication.



SPECIFICATIONS

Dimensions Panel (WxHxD):	353mm x 333mm x 117mm
Operating Temperature:	-5°C to +40°C
IP Rating	IP30
Mains Supply Input:	230V AC Nominal
Standby Battery Requirement:	2 x 7/9Ah 12V Sealed Lead Acid (2 x 12/17Ah with extended battery box)
Max Number of Loops:	2
Max Loop Length:	2000 Metres
Max Conductor Resistance:	24 Ohms
Loop Loading:	450 DLU (200 Devices Max)*
Loop Operating Voltage:	40V DC
Standby:	24V DC
Max Loop Current:	500mA
Number of Supported Zones:	32
LCD Display:	LCD Graphical Display
Device Labels:	31 Characters
Event Log:	1000 Events
Repeater Panels:	8 Max
Aux Power Output:	30V DC 350mA
Inputs and Outputs:	Inputs: 2 x Monitored Inputs (3k3 EOL, 680R Firing Resistor) Outputs: 3 x Volt Free Relay (30V DC @ 1A Max) Monitored Outputs 2 x (32V DC @ 250mA Max, 10k EOL). Each monitored output may be configured as a Conventional Sounder Circuit, Fire Output or as a Common Fault Output.

*Please check the **CIE-A-400** device loading unit (DLU) calculation sheets for accurate loop loading calculations.

APPROVALS

Approved to:
EN54 Part 2 & 4



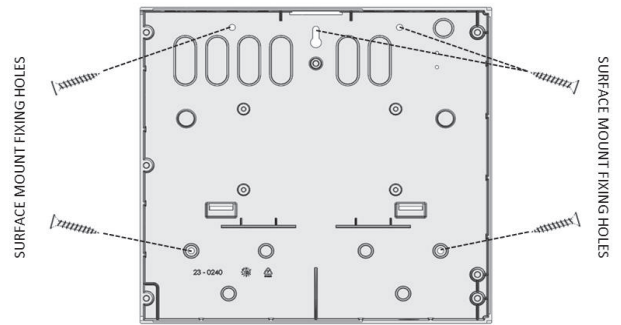
ORDERING INFORMATION

Fike P/N	Description
540-0001	CIE-A-400
23-0239	CIE-A-400 Recess cradle
540-0010	CIE-A-400 Repeater
540-0020	CIE-A-400 Battery Box

CABINET INSTALLATION

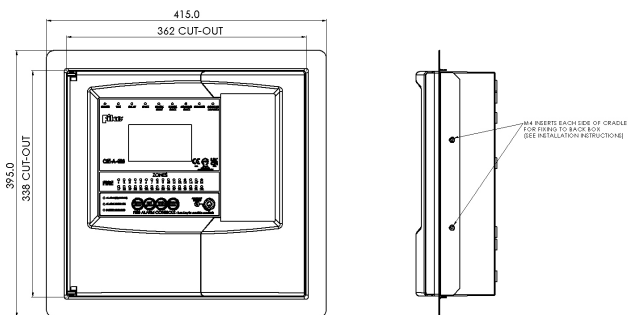
Surface Mounting

At least three mounting holes provided in the back box should be used to secure the cabinet to a solid wall using suitable screws of at least 50mm in length. Ensure that a minimum gap of 50mm is left between the sides of the back box and any wall or projection (such as another box).



Flush Mounting

An additional cradle (part number 23-0239) is available for use when flush mounting the panel. The cut out size for flush mounting is 362mm (W) x 338mm (H). When flush mounted the panel will sit at a depth of 83mm into cavity and have 36mm protruding from surface.



TERMINAL DEFINITIONS

1.	PB_1	Peripheral Bus (Repeaters)	9.	L1 END_1	Loop 1 End 1
2.	INPUT 1	Monitored Input 1	10.	L1 END_2	Loop 1 End 2
3.	INPUT 2	Monitored Input 2	11.	AUX_OUT	Auxiliary Power Output
4.	RELAY_1	Default setting - Fire output 1	12.	32V_INPUT	Main power input from PSU
5.	RELAY_2	Default setting - Fire output 2	13.	L2 END_1	Loop 2 End 1
6.	RELAY_3	Fault Output	14.	L2 END_2	Loop 2 End 2
7.	OUTPUT 1	Monitored Output 1	15.	BATT	Battery Connection
8.	OUTPUT 2	Monitored Output 2			

