



LIGHTING • FIRE & CO DETECTION



# BATTERY OPERATED CARBON MONOXIDE DETECTOR

WITH 10 YEAR LITHIUM BATTERY

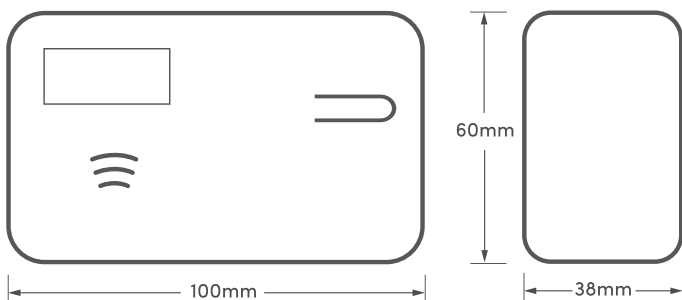


## FEATURES

- 10 year sealed lithium battery powered
- Self test on sensor & self diagnostic
- Advanced Long Life
- Electrochemical sensor
- Reset feature
- Low battery warning
- Power/alarm indicator

## TECHNICAL INFORMATION

Detection Type:	Electrochemical
Power Source:	Sealed Lithium Battery with 10 year life
Alarm Sound Level:	85dB at 1 meter
Operating Temp:	-10°C - 40°C
Carbon Monoxide Level (time to alarm):	50ppm (60-90 mins) 100ppm (10-40 mins) 300ppm (<3 mins)
Ambient Humidity:	15% to 90% relative humidity
Approvals:	BS EN 50291-1:2018



Product Code: HSA/BC/10



hispec.co.uk

