

HOCHIKI DFG-60BLKJ WATERPROOF HEAT DETECTOR INSTALLATION INSTRUCTIONS

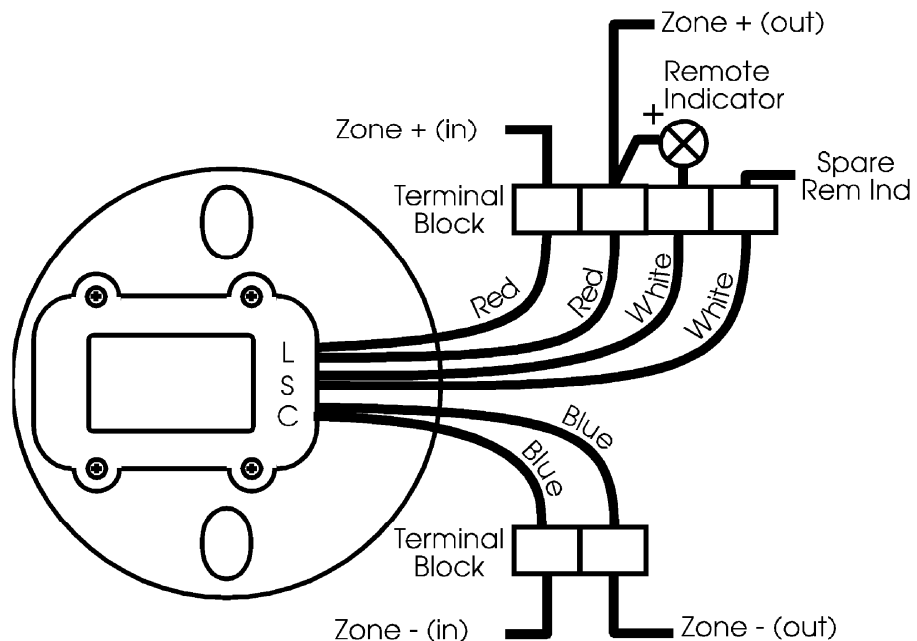
General Description

The DFG-60BLKJ detector is designed for areas that are exposed to water, and provides reliable heat detection with a slow or fast change in temperature. It is particularly suited to environments that are exposed to high levels of condensation or are hosed down and has a wide operating margin allowing it to respond to both slow and fast increases in temperature. It can also sense temperature reliably in a horizontal or vertical position.

The detector is supplied with a set of flying leads for direct connection to the conventional zone and remote LED (if required) and does NOT require any form of standard detector base.

WIRING

The wiring of the DFG-60BLKJ waterproof heat detector should be made as shown right:



Mounting

If a back box is required then the DFG-60BLKJ can be mounted using the MK Red Alert surface mounting range, for example the YCR/502.

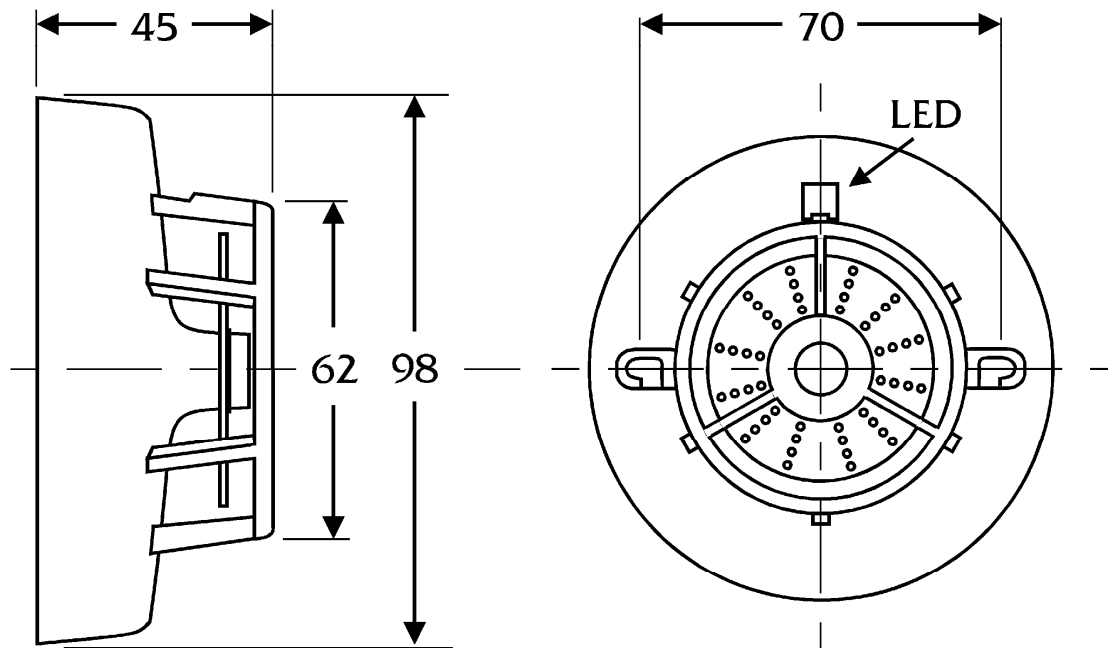
Specifications

Ordering code	DFG-60BLKJ	
Operating voltage	15 – 30 V dc (Nominal rating 24 V dc)	
Quiescent current (typ)	Minimal	
Current in alarm state	50 mA at 24 V dc	
Ambient temperature range	-10 °C to +40 °C	
Storage temperature range	-30 °C to +70 °C	
IP Rating	IP67	
Colour / Case material	Ivory / Modified Polycarbonate	
Weight	80 g	
Fixing Centres	70 mm	
Approvals	LPCB	EN54:2000 Part 5
	VdS	EN54:2000 Part 5 (G204048)

Precautions

- ❑ Ensure that the device is installed in accordance with local standards or regulations.
- ❑ Only install in suitable environments, the following should be avoided : -
 - Excessive ambient temperature.
 - Hazardous areas.
- ❑ Do not use a high voltage tester on this device.
- ❑ Ensure that all wiring terminals are securely fastened.
- ❑ When positioning the detector ensure red FIRE LED is easily visible.

Dimensions



Hochiki Europe (UK) Ltd
Grosvenor Road, Gillingham Business Park,
Gillingham, Kent, ME8 0SA, England
Telephone: +44(0)1634 260133 Facsimile: +44(0)1634 260132
Email: sales@hochikieurope.com
Web: www.hochikieurope.com

Hochiki Europe (UK) Ltd. reserves the right to alter the specification of its products from time to time without notice. Although every effort has been made to ensure the accuracy of the information contained within this document it is not warranted or represented by Hochiki Europe (UK) Ltd. to be a complete and up-to-date description. Please check our web site for the latest version of this document.