

DATASHEET

WIRELESS SINGLE CHANNEL BATTERY POWERED OUTPUT MODULE

HFW-BOM-03

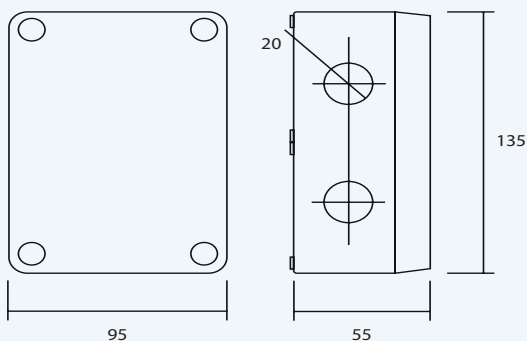
The Hyfire HFW-BOM-03 Output Module has been designed to allow easy control of a variety of third party equipment including access control doors, ventilation plant and fire extinguishing systems. The unit is powered entirely from its internal battery supply and is fitted as standard with both a set of change over relay contacts and a 24V dc output. The 24V output is capable of supplying power for operating low current third party equipment directly from the internal batteries.



KEY FEATURES

- 3rd party approval to EN54-18 and EN54-25
- 5 year product warranty
- Compatible with all Hyfire wireless translators and expanders
- 3 year expected battery life
- Self optimising wireless frequency and amplitude algorithms
- Fully intelligent
- Change over relay and 24V output functionality
- On site programmable 12V/24V output

TECHNICAL INFORMATION



TECHNICAL SPECIFICATION

Operating frequency range	868 – 870 MHz
Max radiated power	5dBm (3mW)
Radio signal modulation type	FSK
Operating frequency channels	7
Communication range with the translator or the expander	≤ 150 m (in open space)
IP Rating	65
Max humidity (non condensing)	95% RH
Weight (without batteries)	210 g
Primary & Secondary batteries	CR123A (3V & 1.2 Ah)
Relay Specifications	2A (60W) @ 30V dc
Temperature Range (no icing)	-10°C to +55°C
Maximum Current Available	50mA @ 12V dc 50mA @ 24V dc
Fault Supervision Resistor	5.6K

STANDARDS & APPROVALS

BS EN 54-25:
Components using radio
links and system requirements
BS EN 54-18:
Input/Output Devices



0832



928r