

Infinity 8 Conventional Fire Alarm Panel

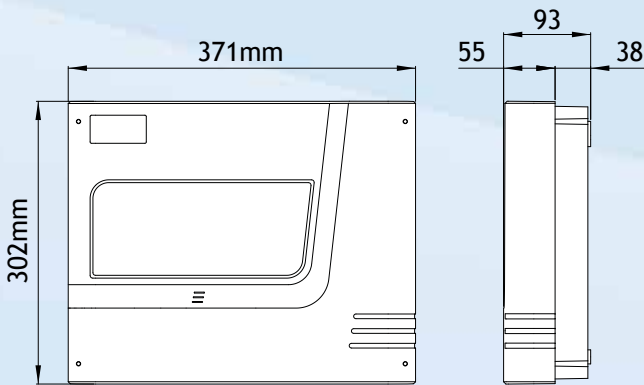
(IN1, IN2, IN4, IN6, IN8)



The Infinity 8 control panel is housed in the most attractive, modern designed, flame retardant ABS enclosure, utilising a switch mode power supply. It has a fully removable front cover which improves ease of access for cable installations.

Features

- ✓ Access via password - removes problem of lost keys
- ✓ One man test facility
- ✓ Disablement facility for zones & sounders
- ✓ Space for up to 3Ah batteries
- ✓ Sounder delay option
- ✓ 4 sounder circuits on ZT-IN4,6 & 8
- ✓ Sounder circuits 3 and/or 4 can be configured as Aux 24V supplies
- ✓ Meets all requirements of latest EN54 part 2 and part4



MODEL	ZT-IN1	ZT-IN2	ZT-IN4	ZT-IN6	ZT-IN8
Part No	37-650	37-651	37-652	37-653	37-654
Mains Voltage	230V AC +10% / -15% @ 50/60 Hz				
System Voltage	24V DC (Nominal)				
Zone Voltage	21V DC (Nominal)				
Sounder Alarm Output	2 x 150mA @ 24V DC		4 x 150mA @ 24V DC		
Fault Relay	1 x Volt Free Relay, SELV @ 1A Max				
Fault Relay	1 x Volt Free Relay, SELV @ 1A Max				
Zone Capacity	32 devices per zone				
Remote sounder operation	Via N/O contact connected to Class Change				
Sounder Activation Delay	0 to 9 minutes in 1 minute increments				
Zone End of line	1N4002 Diode (Cathode Stripe to Zone +ve)				
Sounder End of Line	10K resistor				
Charger Voltage	27.6V				
Battery cut off	Battery voltage less than 20V				
Battery Internal Resistance limit	0.9 ohm				
Enclosure size	375 x 316 x 90 (mm)				
Weight	3 kg (Excluding Batteries)				
Maximum battery space	2 x 3.0 AH, 12 Vdc sealed lead acid				