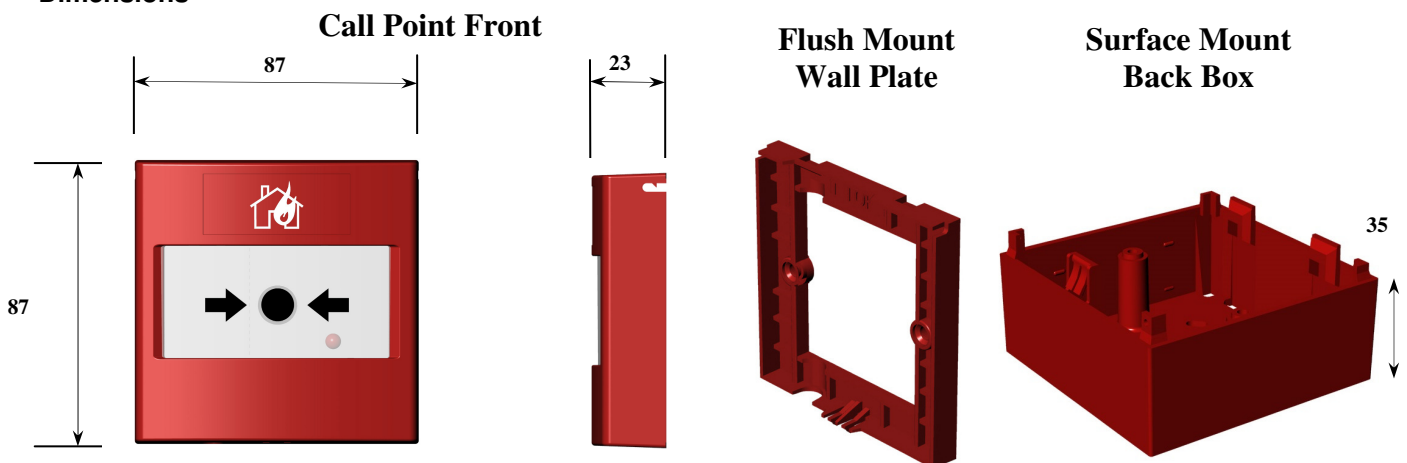


TECHNICAL DATASHEET

Part Number	-	-	-	-	-	EV-MCP2-SCI-IP24 - F16N-82200
Description	-	-	-	-	-	Analogue Evolution Type A Indoor Manual Call Point
Operation Method	-	-	-	-	-	Non Frangible, Resettable
Operating Element	-	-	-	-	-	Microswitch
Operating Voltage	-	-	-	-	-	20V d.c. to 38V d.c.
Quiescent Current	-	-	-	-	-	200µA
Alarm Current	-	-	-	-	-	2mA (LED ON)
Operating Temperature	-	-	-	-	-	- 25 °C to + 70 °C
Storage Temperature	-	-	-	-	-	- 25 °C to + 70 °C
Charging Time	-	-	-	-	-	1 minutes
Relative Humidity	-	-	-	-	-	≤ RH95% non-condensing.
I.P. Protection Rating	-	-	-	-	-	IP24
Addressing Method	-	-	-	-	-	8 Way DIL switch.
Material	-	-	-	-	-	POM / Polycarbonate
Mass	-	-	-	-	-	115gms
Connections	-	-	-	-	-	Flying Leads/Connectors
Minimum Sw Open Voltage (V_{so} min)	-	-	-	-	-	9V d.c.
Maximum Sw Open Voltage (V_{so} max)	-	-	-	-	-	11V d.c.
Minimum Sw Close Voltage (V_{sc} min)	-	-	-	-	-	10V d.c.
Maximum Sw Close Voltage (V_{sc} max)	-	-	-	-	-	13V d.c.
Maximum Line Current (I_c max)	-	-	-	-	-	800mA
Maximum Switching Current (I_s max)	-	-	-	-	-	1500mA
Maximum Leakage Current (I_l max)	-	-	-	-	-	13mA
Maximum Switch Resistance (Z_c max)	-	-	-	-	-	150mΩ
CE Conformity	-	-	-	-	-	EN54-11 & EN54-17
CPR Number	-	-	-	-	-	0359-CPR-00440
DoP Number	-	-	-	-	-	00440

Dimensions



Connections

