



# Beacon Base for use with EV-PYS Detector **EV-PYSVAD**

Part no. F16-82150

## General Description

EV-PYSVAD is a Type A Indoor Beacon Base VAD for use with detector type EV-PYS, only as part of an Evolution analogue addressable system.

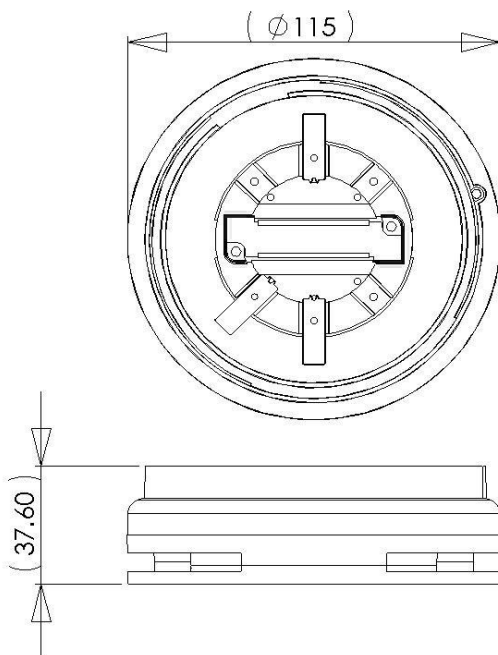
The Beacon Base does not require a loop address, as it is a slave device taking its commands from the EV-PYS detector.

12 High Power White LEDs provide the necessary coverage volume of light to meet the Category C (Ceiling) certification requirements.

## Approvals

Test Standards	EN 54-23: 2010
CPR Certificate	0905-CPR-210054
UKCA Certificate	0359-UKCA-CPR-00052
DoP Number	210054

## Dimensions (mm)



## Data

Beacon Device Type	Type A Indoor
Beacon Device	12 High Power LEDs
Beacon Colour	White
Beacon VAD Specification	C 3.0-5.0 / 60m <sup>3</sup>
Maximum Mounting Height	3.0 Metres
Flash Pulse Rate	2 Second (0.5 Hz)
Operating voltage	24 VDC to 38 VDC
Quiescent current	0 $\mu$ A
Alarm current	9.0mA
Maximum Power	350mW
Ingress protection	IP21C
Operating temperature	-10°C to +55°C
Storage temperature	-25°C to +70°C
Relative humidity	RH 95%
Cable terminals	Max 2.5 mm <sup>2</sup>
Material	PC & ABS
Weight	175 g

**All wiring must conform to the current edition of IEE Wiring regulations and BS5839 Part 1, or Local National Wiring regulations.**

**All loop Cable Screens shall be connected together, but must be Isolated from Ground. Cable Screens shall be connected to Earth Ground within the Control Panel ONLY.**

## Connections

