

NITTAN	EVOLUTION	TD-EVC-IR-08
	EVC-IR Conventional Dual Infra-Red Flame Detector	June 2021
		Page 1 of 1
TECHNICAL DATASHEET		

Part Numbers and Product Order Codes:-

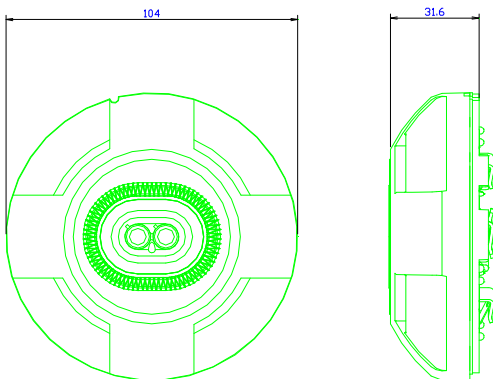
Part Number	- - - - -	-	EVC-IR
Description	- - - - -	-	Conventional Dual IR Flame Detector (375Ω Alarm)
Computer Reference Number			
Nittan Standard	- - - - -	-	F04J60044

Technical Specifications:-

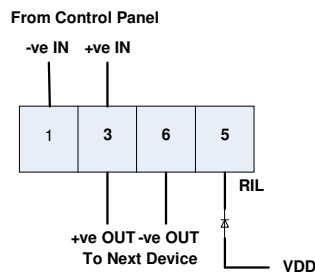
Sensor Method	- - - - -	-	CO2 Resonant Emission, Flickering, Dual Wavelength
Sensor Element	- - - - -	-	2 x Infrared Wavelength sensors
Sensor Class	- - - - -	-	Class 1(25m), Class 2(17m), Class 3(12m)
Operating Voltage	- - - - -	-	10V d.c. to 32V d.c.
System Voltage	- - - - -	-	24V d.c.
Quiescent Current	- - - - -	-	100µA
Alarm Current	- - - - -	-	50mA @ 24v
Sensor Viewing Angle	- - - - -	-	100° Max (±50°)
Current for external remote LED indicator	- - - - -	-	2mA
Operating Temperature	- - - - -	-	- 25°C to +70°C
Storage Temperature	- - - - -	-	- 25°C to + 70°C
Charging Time	- - - - -	-	30sec
Relative Humidity	- - - - -	-	≤ RH95% non-condensing.
I.P. Protection Rating	- - - - -	-	IP42
Material	- - - - -	-	ABS/PC alloy
Dimensions	- - - - -	-	Ø104mm x 29mm (Sensor head) Ø104mm x 45mm (Sensor head and UB Series Base)
Mass	- - - - -	-	127g (Sensor head) 186g (Sensor head and UB Series base)
Approval Conformance	- - - - -	-	EN54-10: 2002/A1:2005.
CPR Certificate number	- - - - -	-	2831-CPR-F2439
UKCA Certificate number	- - - - -	-	0832-UKCA-CPR-F0042
DoP Number	- - - - -	-	F2439

All wiring must conform to the current edition of IEE Wiring regulations and BS5839 Part 1
All loop Cable Screens shall be connected together, but must be Isolated from Ground. Cable Screens shall be connected to Earth Ground within the Control Panel ONLY.

EVC-IR Dimensions



EVC-IR Terminal connections



Base: UB-4, UB-4-SD, UB-6-EV, STB-4SE, STB-4-SE-EV, & STB-4SE-SD