

# Responder 24 Electromagnetic Closer



Silver (SE)



Satin Nickel Plate (SNP)



Polished Nickel Plate (PNP)



Electro Brass (PVD)



Antique Brass (AB)

## Product Overview

The Rutland Responder 24, Electromagnetic Door Closer has been designed with universal handing and ease of fitting with the hygienic plug and go wiring.

- ✓ Size EN4 which can be Hold Open or Swing Free and fitting on either left or right hand doors has made them easy to specify and order.
- ✓ The one box and one code make the unit very manageable for the fitter, buyer, merchant stockist or specifier.
- ✓ Fire and endurance tested to meet and exceed the European standards that will leave your doors closed in a fire and emergency situation.
- ✓ The Electromagnet is activated by the Fire alarm system or over ridden on the switch if required making it very versatile and easy to use.
- ✓ These closers are tested to 60minutes in successful EN 1634 fire tests.



## Specification Overview



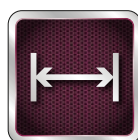
Fire Tested to  
EN1634



Max Door  
Weight 80kg



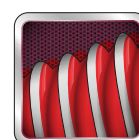
Opening Angle  
180°



Max Door Width  
1050mm



Adjustable  
Closing Speed



Rut Lock



Universal  
Application



Power Size  
EN4



Adjustable  
Latch Speed



Guarantee

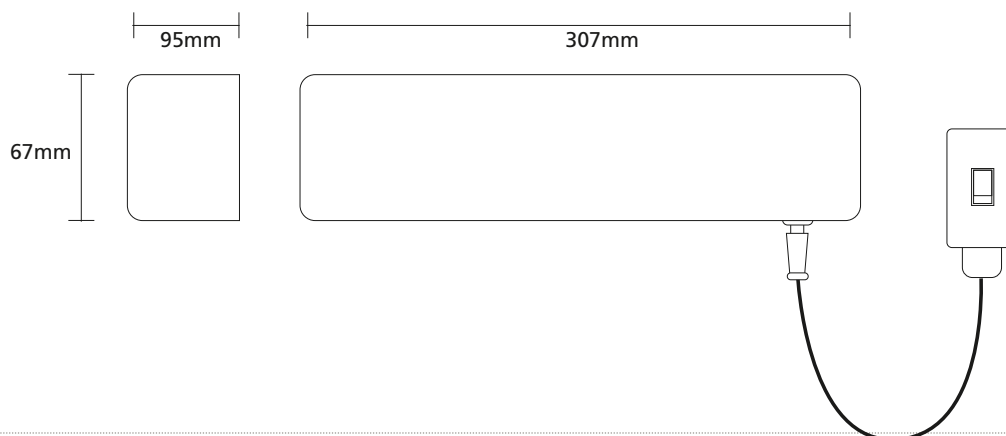


1942-CPR-44-  
0111-18-01



24V Direct  
Current

All dimensions shown are in mm.



## Technical Information

**Volts:** 24VDC

**Amp:** 84ma Draw

**Watts:** 2W

The current 2A 24VDC Power Supply Unit (PSU) we stock has 4 outputs.

### BS EN 1155 Classification

Responder 24 door closers have been independently tested to conform with the BS EN 1155 performance standard. They are CE marked and classified as follows:

4 8 4 1 1 3

### BS EN 1634 Fire Test

Responder 24 door closers have been tested up to 60 minute door sets. Test certificates are available on request.

## Options

- Finishes available: Silver, Satin Nickel, Polished Nickel, Polished Brass and Antique Brass
- Power supply unit is available - on request