

# STI Thermostat Protectors



STI-9102



STI-9115



STI-9105



Holes in the frame allow air to circulate freely

## PRODUCT OVERVIEW

Thermostat Protectors help prevent vandalism, damage and tampering of thermostats and energy sensors. Moulded in clear, heavy-duty polycarbonate material, these protective covers are recommended for areas where misuse and vandalism to thermostats and energy sensors may result in an irritating and expensive problem. Holes in the frame allow air to circulate freely for proper operation of the thermostat, but an interior wall prevents any tampering to the controls with a small object. The covers are aesthetically appealing and easy to install. Suitable for flush or surface mounted applications.

## HOW IT WORKS

Thermostat Protectors retrofit over the existing device and provide protection from unwanted use. For added protection against abuse, they come complete with a lock and key assembly, and are supplied with a full fixing kit.

## KEY FEATURES

### General Information

- Thermostat Protectors help prevent vandalism, damage and tampering of thermostats and energy sensors.
- Three year guarantee against breakage of polycarbonate in normal use.

### Design

- Tamper resistance double wall design allows airflow to the protected device.

### Construction

- Moulded of clear, 1/8" thick, heavy-duty polycarbonate.

### Installation

- Retrofits over the protective devices, selected models are available with spacers for extra depth.
- Typical working properties of polycarbonate are -40°C to 121°C (-40° to 250°F)

### Options

- Models are available with locks, ideal where thermostats are located in public areas.

# STI Thermostat Protectors

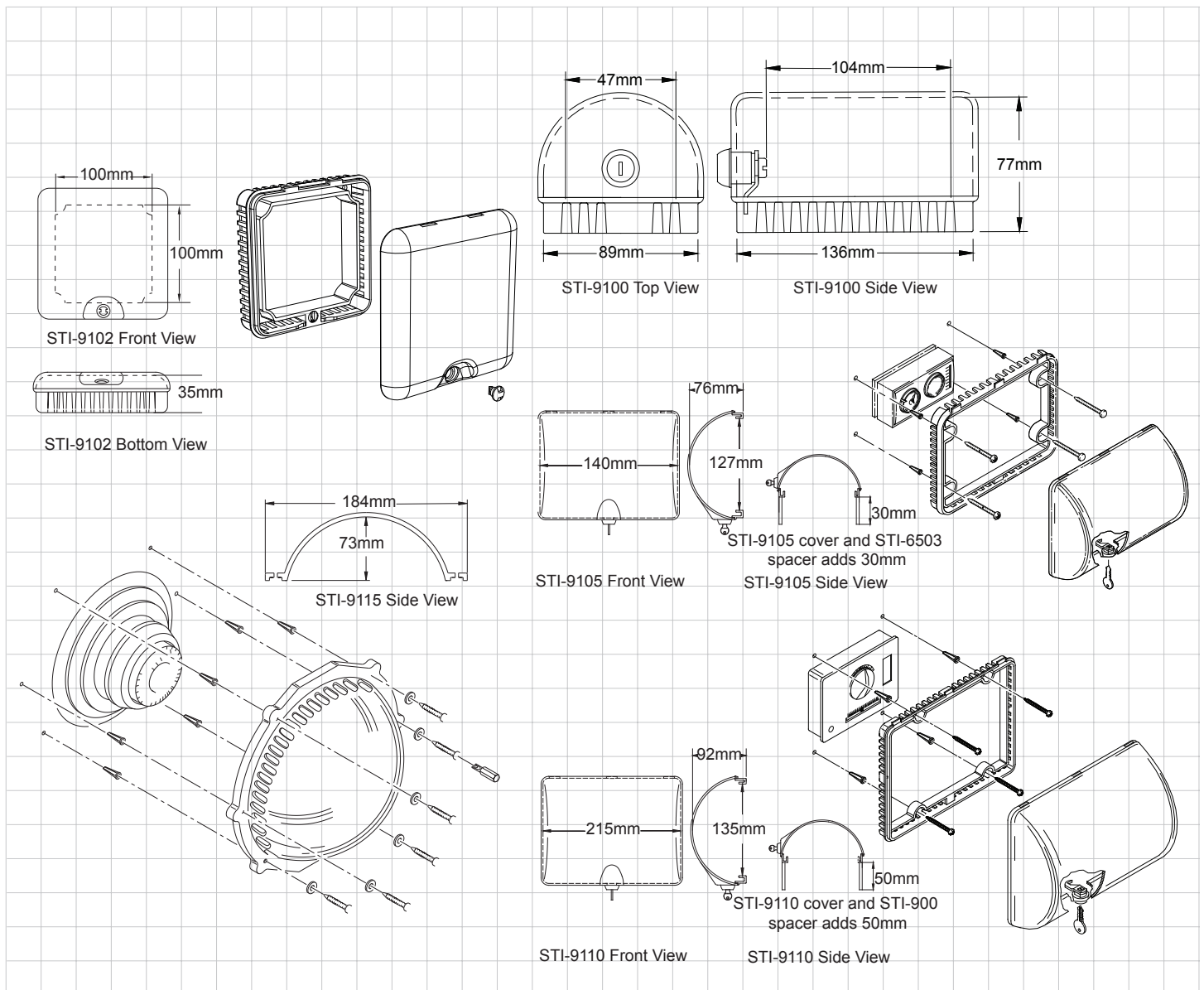
## Dimensions and Technical Information

### MODELS AVAILABLE

- STI-9100** Thermostat Protector flush mount with key lock
- STI-9102** Small Thermostat Protector flush mount with frangible lock
- STI-9105** Medium Thermostat Protector flush mount with key lock
- STI-9110** Large Thermostat Protector flush mount with key lock
- STI-9115** Circular Thermostat Protector flush mount

#### Accessories:

- KIT-905** 30mm spacer (for the STI-9105)
- KIT-901** 50mm spacer (for the STI-9105)
- KIT-900** 50mm spacer (for the STI-9110)
- KIT-H18053** Extra key for Thermostat Protector (for the STI-9105 and STI-9110)
- KIT-H19016** Key tool (for the STI-9102)



**Safety Technology International**

Taylor House  
34 Sherwood Road  
Bromsgrove  
Worcestershire  
B60 3DR, England

Tel: +44 (0)1527 520 999  
Fax: +44 (0)1527 501 999  
info@sti-emea.com  
www.sti-emea.com

2306 Airport Road  
Waterford, Michigan  
48327, USA

Tel: 248-673-9898  
Fax: 248-673-1246  
Toll-free: 0800-888-4784  
info@sti-usa.com  
www.sti-usa.com