



The ViLX-ACP-66 weatherproof ancillary cancel button is fully compatible with the Lexicomm EVC range of equipment and the standalone Assist Call range.

IP66 Weatherproof enclosure

Ideal for showers/wet areas

Stainless Fascia

Polycarbonate Back box

Flush or surface mounting

BS 8300-2:2018 "Acknowledge" feature

Overview

The ViLX-ACP-66 is used to cancel the alarm when additional cancel buttons are required. It is suitable for showers and other wet areas where a standard cancel button may be unsuitable.

The cancel button is finished in brushed stainless steel without visual indication, so it should be used in conjunction with another cancel button or cancel plate which has visual indication.

Operation

The button is a momentary sprung switch which cancels the alarm when pressed.

Up to 2 x ancillary cancel buttons can be used in the circuit, for further advice please refer to Vox Ignis technical dept for guidance.

Mounting Information

It should be mounted at between 800mm to 1000mm with a lower call button mounted at 100mm from the floor.

There are 5 x 20mm cable entries provided, at top, bottom and side entry, cable entry for the rear via cut-out is also provided. See drawings overleaf for full details.

Wiring Information

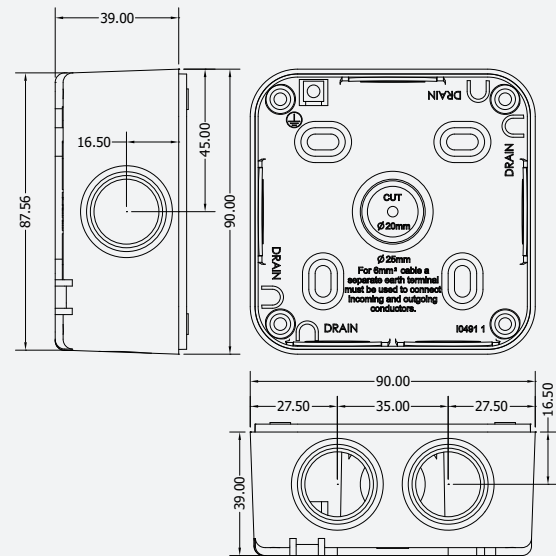
For simplicity, all wiring is a standard two core cable, the wiring order of the devices is not fixed and therefore can be wired in any order to give total flexibility.



Technical Specification

DETAILS	VILX-ACP
PHYSICAL	
Height	100mm
Width	100mm
Depth	60mm
Weight	250 g
Material	Stainless Steel/ Acrylic
Finish	Brushed
PART NUMBERS	
Ancillary Cancel Plate	VILX-ACP-66
RECOMMENDED CABLES	
Type	PVC or Fire Rated*
Cores	2 core 1mm CSA
Distance	500m from compatible panel/ controller
STANDARDS COMPLIANCE	
EMC	EN 55035:2017+A11:2020
LVD	EN IEC62368-1:2020 +A11:2020
Product Family	BS 5839-9:2021 BS 8300-2:2018
*If connected to a Refuge Point	

Mounting Box Detail



ISO View

