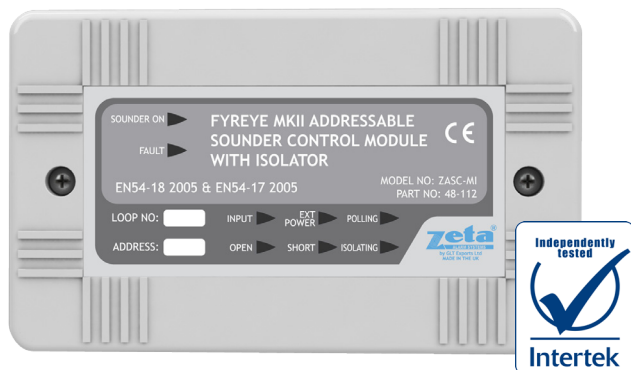


Fyreye MkII Addressable Sounder Control Module With Isolator (ZASC-MI)



Description

The ZASC-MI is supplied in a modern enclosure (2 gang box size) with well protected electronic circuit board to minimize any damages during installation.

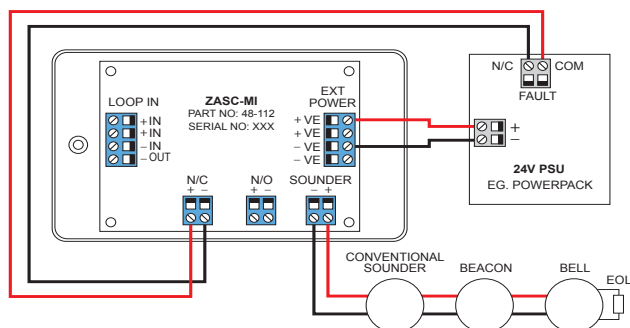
It is supplied with a back box suitable for surface mount indoor installation. Designed and manufactured to meet the requirement of EN54-18 2005 and EN54-17 2005.

The ZASC-MI can be used to supply a monitored 24Vdc to operate external relays and as a conventional sounder circuit to run bells or beacon flashers where the current consumption prohibits the use of addressable loop powered devices. The unit also includes input connections to monitor the external power supply status and report the findings to the addressable control panel.

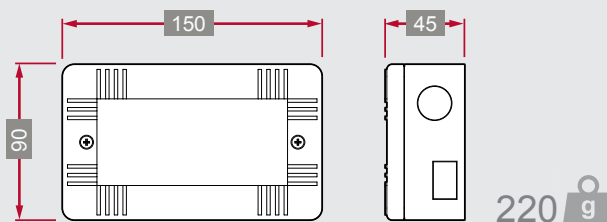
Features

- ✔ This is not a loop powered device and an adequate 24Vdc input (with battery backup) is needed.
- ✔ Hand addressed using the 8 way dip switch OR
- ✔ Softly addressed using our handheld MKII Programmer (part no. 48-004)
- ✔ Equipped with short circuit line isolator

Typical Wiring Diagram



Dimensions (mm) & Weight (g)



Technical Specification

Model	ZASC-MI
Part Number	48-112
Operating Voltage (Loop)	17 – 28V DC
Quiescent Current (Loop)	0.6 mA
Fault Current (Loop)	0.6 mA
Sounder On Current (Loop)	0.8 mA
Operating Voltage (Ext. Power)	9-32V DC
Quiescent Current (Ext. @ 24V)	2 mA
Sounder On Current (Ext. @ 9V)	2.5mA Plus Sounder Load
Sounder On Current (Ext. @ 32V)	9.5mA Plus Sounder Load
Sounder Output Rating	500 mA
Isolating Current	7.3mA
Sounder End of Line	10k
Operating Temperature	"-10C to 55C"
Max Humidity	95% RH Non Condensing
IP Rating	IP21C
Size	150 x 90 x 45 mm
Weight	220g

Front Unit Indications

Status	LED Indication
Alarm	Illuminated red when the Sounder Control Module is in alarm
Fault	Illuminated yellow when the Sounder Control Module is in fault
Open	Illuminated yellow when the sounder input is in open state
Short	Illuminated yellow when the sounder input is in short state
Polling	Flashed green when the module is communicating with the panel
Isolating	Illuminated yellow when the loop is short or wrong connection circuit
Ext Power	Illuminated green when Ext Power is connected correctly
Input	Illuminated green when the Ext Power is active