



Analogue Addressable Optical Smoke Heat Detector with integral SCI

EV-PYH-SCI

Part no. F20-82425

General Description

EV-PYH-SCI is an Optical Smoke Heat Category P Multi-sensor Detector with integral Short Circuit Isolator compatible with Evolution analogue addressable system devices.

The Nittan UB-6-SL-EV Base includes a sliding link, to provide loop continuity, when detectors are removed. This is to ensure Call Point operation is not affected by head removal, in accordance with BS 5839-1, Clause 12.2.2.

Device address may be set using the Nittan EV-AD2-EXT Hand held programmer.

The Short Circuit Isolator is bi-directional and will protect the system, whilst allowing the device to continue communication from the opposite side. The isolator will self-reset when the fault is cleared.

Approvals

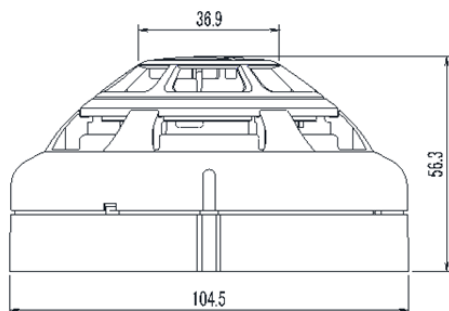
Test Standards	EN 54-5: 2017 + A1: 2018 EN 54-7: 2018 EN 54-17: 2005 / AC: 2007 EN 54-29: 2015
CPR Certificate	0905-CPR-220811
UKCA Certificate	0359-UKCA-CPR 00160
DoP Number	220811

Notes

Not compatible with Advanced MxPro4 (Mx4000) Panel. Please use Non-SCI model.

It is not possible to mix +ve and -ve isolator styles on a system.

Dimensions (mm)



Data

Smoke Sensor Type	Optical Light Scatter
Heat Sensor Type	Thermistor
Heat Category P Selectable	A1R, A2S, BS or CS
Operating voltage	20 Vdc to 38 Vdc
Quiescent current	300 μ A
Alarm current	6mA (LED On)
Remote LED Indicator current	3.0mA
Ingress protection	IP42
Operating temperature	-10°C to +55°C
Storage temperature	-25°C to +60°C
Relative humidity	RH 95%
Cable terminals	Max 2.5 mm ²
Material	PC
Material Specification (UL94)	V-2
Dimensions	104.5x57 mm (Inc Base)
Mass	130 g

Isolator Data

Minimum sw open voltage (V _{so min})	9 Vdc
Maximum sw open voltage (V _{so max})	12 Vdc
Minimum sw close voltage (V _{sc min})	10 Vdc
Maximum sw close voltage (V _{sc max})	13 Vdc
Maximum line current (I _{c max})	1000 mA
Maximum switching current (I _{s max})	3000 mA
Maximum leakage current (I _{l max})	13 mA
Maximum switch resistance (Z _{c max})	50 m Ω

All wiring must conform to the current edition of IEE Wiring regulations and BS5839 Part 1, or Local National Wiring regulations.

All loop Cable Screens shall be connected together, but must be Isolated from Ground. Cable Screens shall be connected to Earth Ground within the Control Panel ONLY

Detector Settings

When operating in Dual Mode, the EV-PYH-SCI can be set to multiple Smoke Sensitivities at the Control Panel itself or using the PC Config tool as shown in Table 1.

Sensitivity	PC Tool	Panel
Highest	Highest	Mode 2
High	High	Mode 3
Normal	Normal	Mode 1
Low	Low	Mode 4
Lowest	Lowest	Mode 0

Table 1

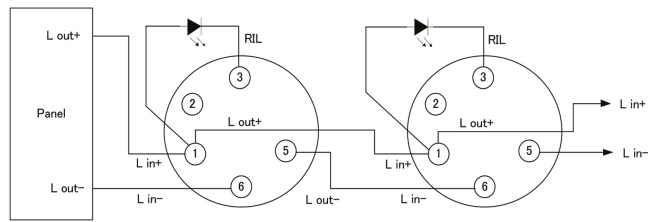
When operating in Dual Mode, the EV-PYH-SCI can be set to multiple Heat Categories at the Control Panel itself or using the PC Config tool as shown in Table 2.

Category	PC Tool	Panel
AIR	AIR	Mode 1
A2S	A2S	Mode 0
BS	BS	Mode 3
CS	CS	Mode 2

Table 2

The EV-PYH-SCI can also be set to Multi-sensor Mode compliant with EN 54-29: 2015. This can only be achieved using the PC Config Tool. In Multi-sensor Mode, the detector is compliant with EN 54-7 and Smoke Sensitivity is adjustable in accordance with Table 1. In Multi-sensor Mode the detector is compliant with EN 54-5 Heat Category AIR Only.

Connections



Compatible Bases

UB-6-SL-EV – Standard Base with SCI Shorting Link

NOTE: For fully compliant installation use UB-6-SL-EV. Other bases may be used with limitations, refer to Technical Guidance sheet TGS-11 Base Compatibility Matrix for details.