



Analogue Addressable Optical Smoke Heat Multisensor Detector

EV-PYH

Part no. F20-82420

General Description

EV-PYH is an Optical Smoke Heat Multi-sensor Detector compatible with Evolution analogue addressable system devices, including backward compatibility for the EV-PH detector.

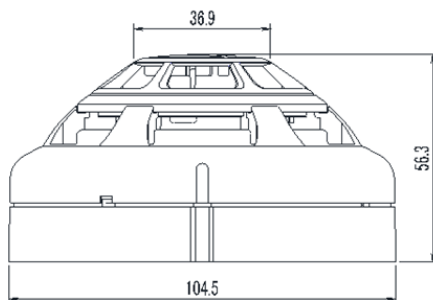
The detector will fit to a range of Nittan bases including Relay Bases

Device address may be set using the Nittan EV-AD2-EXT Hand held programmer.

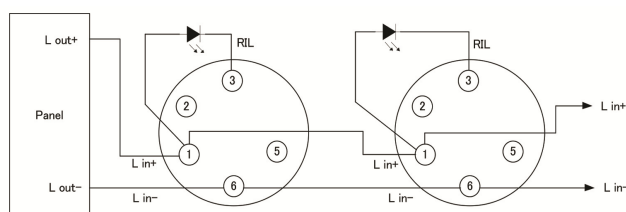
Approvals

Test Standards	EN 54-5: 2017 + A1: 2018 EN 54-7: 2018
CPR Certificate	0905-CPR-220811
UKCA Certificate	0359-UKCA-CPR 00160
DoP Number	220811

Dimensions (mm)



Connections



Data

Smoke Sensor Type	Optical Light Scatter
Heat Sensor Type	Thermistor
Heat Class	A1R
Operating voltage	20 Vdc to 38 Vdc
Quiescent current	300 μ A
Alarm current	6mA (LED On)
Remote LED Indicator current	3.0mA
Ingress protection	IP42
Operating temperature	-10°C to +55°C
Storage temperature	-20°C to +60°C
Relative humidity	RH 95%
Cable terminals	Max 2.5 mm ²
Material	PC
Material Specification (UL94)	V-2
Dimensions	104.5x57 mm (Inc Base)
Mass	130 g

All wiring must conform to the current edition of IEE Wiring regulations and BS5839 Part 1, or Local National Wiring regulations.

All loop Cable Screens shall be connected together, but must be Isolated from Ground. Cable Screens shall be connected to Earth Ground within the Control Panel ONLY

Detector Settings

The EV-PYH can be set to multiple Smoke Sensitivities at the Control Panel itself or using the PC Config tool as shown in Table I.

Sensitivity	PC Tool	Panel
High	High	Mode 2
Normal	Normal	Mode 1
Low	Low	Mode 0

Table I

Compatible Bases

UB-6-SL-EV – Standard Base with SCI Shorting Link

UB-6-EV – Standard Base

STB-4SE-EV – Deep Base

EV-24VRL – Relay Base