

# Detector Base with Short Linking **UB-6-SL-EV**

Part no. F03-83560

## General Description

UB-6-SL-EV is a low profile detector base, including a Shorting Link to allow loop continuity testing to be conducted on cables prior to installation of detectors, with built in Short Circuit Isolators.

The base plate is made for use in dry and clean spaces.

The cable entry is from the center or from the side of the base.

Features and benefits

- Low profile
- Allows for ease of installation cable testing

## Data

Operating voltage	20 Vdc to 38 Vdc
Operating temperature	-10°C to +80°C
Storage temperature	-25°C to +80°C
Relative humidity	RH 95%
Cable terminals	Max 2.5 mm <sup>2</sup>
Material	PC
Dimensions	Ø104.5 x 15mm
Weight	58 g

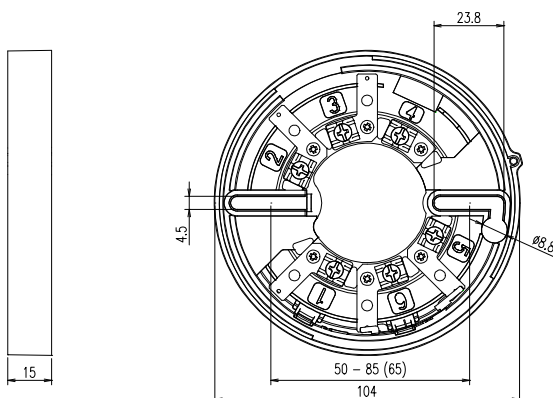
## Approvals

Test Standards	EN54-5: 2017+A1: 2018
	EN54-7: 2018
	EN54-17: 2005 / AC: 2007
	EN54-29: 2015

**All wiring must conform to the current edition of IEE Wiring regulations and BS5839 Part 1.**

**All loop Cable Screens shall be connected together, but must be Isolated from Ground. Cable Screens shall be connected to Earth Ground within the Control Panel ONLY.**

## Dimensions (mm)



## Connection

